



Microwave antenna UNI4-17

Antenna description

High Performance \varnothing 1.20 m antenna for ALCOMA point to point radiorelay links with holder for precise horizontal and vertical alignment.

General parameters

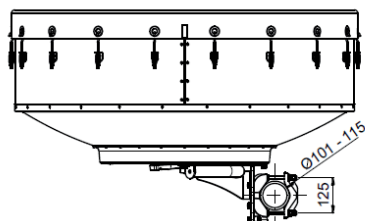
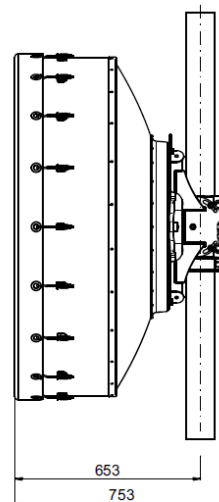
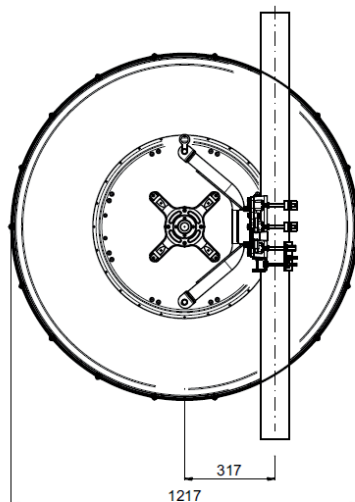
Diameter	1.20 m (4 ft.)
Feeder	dual polarized
Polarization	dual
Input flange: - standard	circular, hole diameter 10.99 mm
Environmental temperature	-35 °C to +55 °C
Color	light grey
Radom material	white plastic canvas

Electrical parameters

Frequency band	17.100 - 17.300 GHz
Gain: - mid band	43.2 dBi
Beamwidth (-3 dB)	1.0° (H / V)
Return loss	< 1.20 (20.0 dB)
Front to Back Ratio	56 dB
Cross Polarization Discrimination	32 dB
Antenna Inter port Isolation	> 47 dB
Antenna class	2 (ETSI EN 302 217-4-2)



UNI4-17



ALCOMA



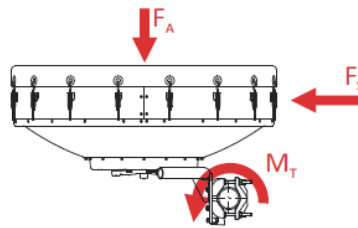
Microwave antenna UNI4-18

Mechanical parameters due to wind

UNI4-18

Performance stability	max 30 m/s (110 km/h)
Survival	max 55 m/s (200 km/h)
Radial ice load (density 7kN/m ³)	25 mm
Net weight (interface A/R)	34.5 kg
Pipe diameter*	101 - 115 mm
Adjust azimuth / elevation	±180° / -
Fine adjust azimuth	±7°
Fine adjust elevation	±15°

Force and twisting moment due to wind



Wind velocity	30 m/s	55 m/s
F_A - axial force	870 N	2850 N
F_S - side force	320 N	1030 N
M_T - twisting moment	350 Nm	1150 Nm
Icing thickness 25 mm	670 N	