



# Microwave antenna UNI4-24

## Antenna description

High Performance  $\varnothing$  1.20 m antenna for ALCOMA point to point radiorelay links with holder for precise horizontal and vertical alignment.

## General parameters

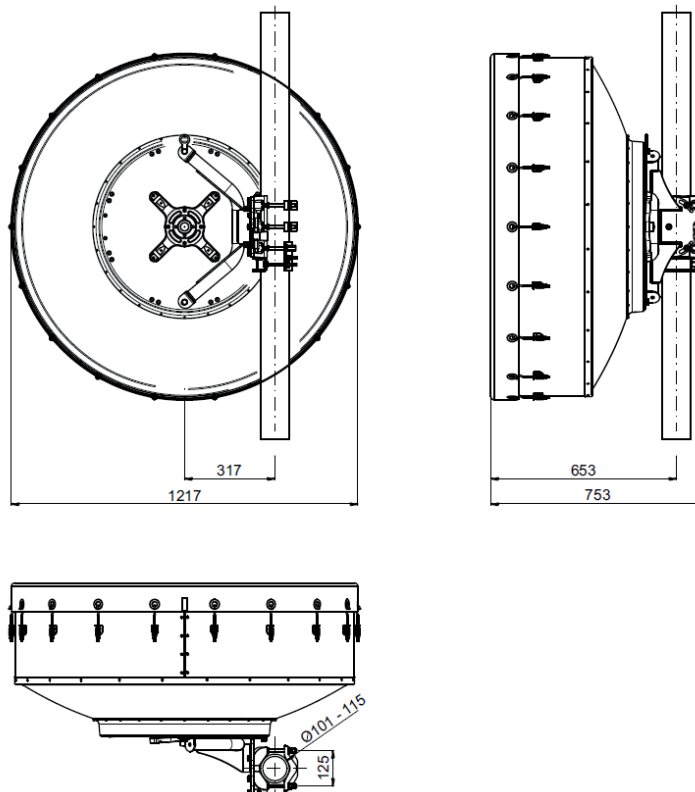
Diameter	1.20 m (4 ft.)
Feeder	dual polarized
Polarization	dual
Input flange: - standard	circular, hole diameter 9.50 mm
Environmental temperature	-35 °C to +55 °C
Color	light grey
Radom material	white plastic canvas

## Electrical parameters

Frequency band	24.000 - 24.250 GHz
Gain: - mid band	46.8 dBi
Beamwidth (-3 dB)	0.8° (H / V)
Return loss	< 0.20 (20.0 dB)
Front to Back Ratio	73 dB
Cross Polarization Discrimination	32 dB
Antenna Inter port Isolation	> 47 dB
Antenna class	2 (ETSI EN 302 217-4-2)



## UNI4-24



# ALCOMA



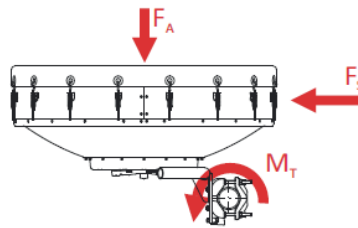
# Microwave antenna UNI4-24

## Mechanical parameters due to wind

## UNI4-24

Performance stability	max 30 m/s (110 km/h)
Survival	max 55 m/s (200 km/h)
Radial ice load (density 7kN/m <sup>3</sup> )	25 mm
Net weight (interface A/R)	34.5 kg
Pipe diameter*	101 - 115 mm
Adjust azimuth / elevation	±180° / -
Fine adjust azimuth	±7°
Fine adjust elevation	±15°

## Force and twisting moment due to wind



Wind velocity	30 m/s	55 m/s
$F_A$ - axial force	870 N	2850 N
$F_s$ - side force	320 N	1030 N
$M_T$ - twisting moment	350 Nm	1150 Nm
Icing thickness 25 mm	670 N	