



# Microwave antenna UNI4-6

## Antenna description

High Performance  $\varnothing$  1.20 m antenna for ALCOMA point to point radiorelay links with holder for precise horizontal and vertical alignment.

## General parameters

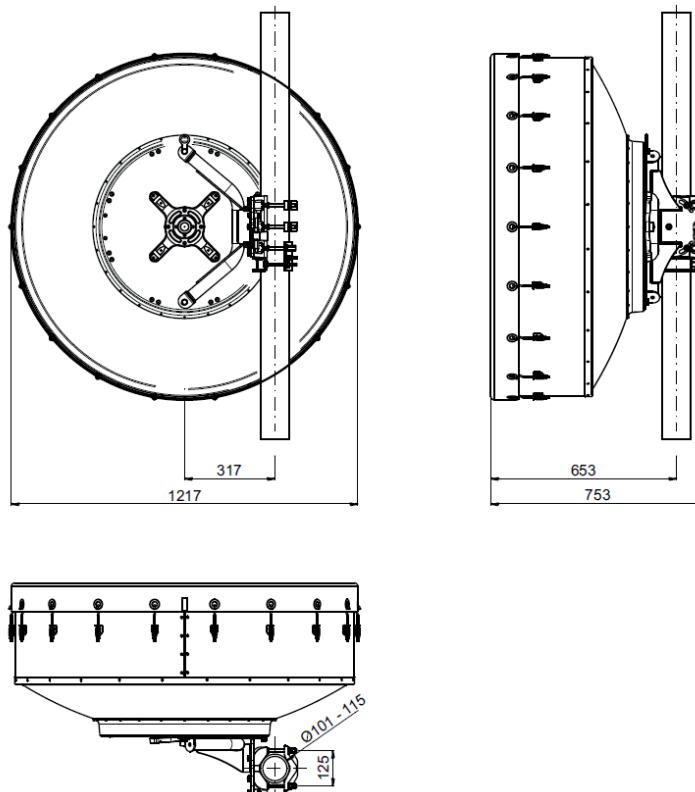
Diameter	1.20 m (4 ft.)
Feeder	single polarized (dual polarized)
Polarization	horizontal / vertical (dual)
Input flange: - standard - optional	circular, hole diameter 34.00 mm R70 (WR137)
Environmental temperature	-35 °C to +55 °C
Color	light grey
Radom material	white plastic canvas



## Electrical parameters

Frequency band	5.900 - 7.100 GHz
Gain: - low band	34.8 dBi
- mid band	35.6 dBi
- high band	36.4 dBi
Beamwidth (-3 dB)	2.5° (H / V)
Return loss	< 1.20 (20 dB)
Front to Back Ratio	58 dB
Cross Polarization Discrimination	30 dB
Antenna class	2 (ETSI EN 302 217-4-2)

## UNI4-6



# ALCOMA



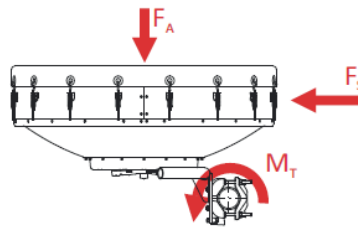
# Microwave antenna UNI4-6

## Mechanical parameters due to wind

## UNI4-6

Performance stability	max 30 m/s (110 km/h)
Survival	max 55 m/s (200 km/h)
Radial ice load (density 7kN/m <sup>3</sup> )	25 mm
Net weight (interface A/R)	34.5 kg
Pipe diameter*	101 - 115 mm
Adjust azimuth / elevation	±180° / -
Fine adjust azimuth	±7°
Fine adjust elevation	±15°

## Force and twisting moment due to wind



Wind velocity	30 m/s	55 m/s
$F_A$ - axial force	870 N	2850 N
$F_s$ - side force	320 N	1030 N
$M_T$ - twisting moment	350 Nm	1150 Nm
Icing thickness 25 mm	670 N	